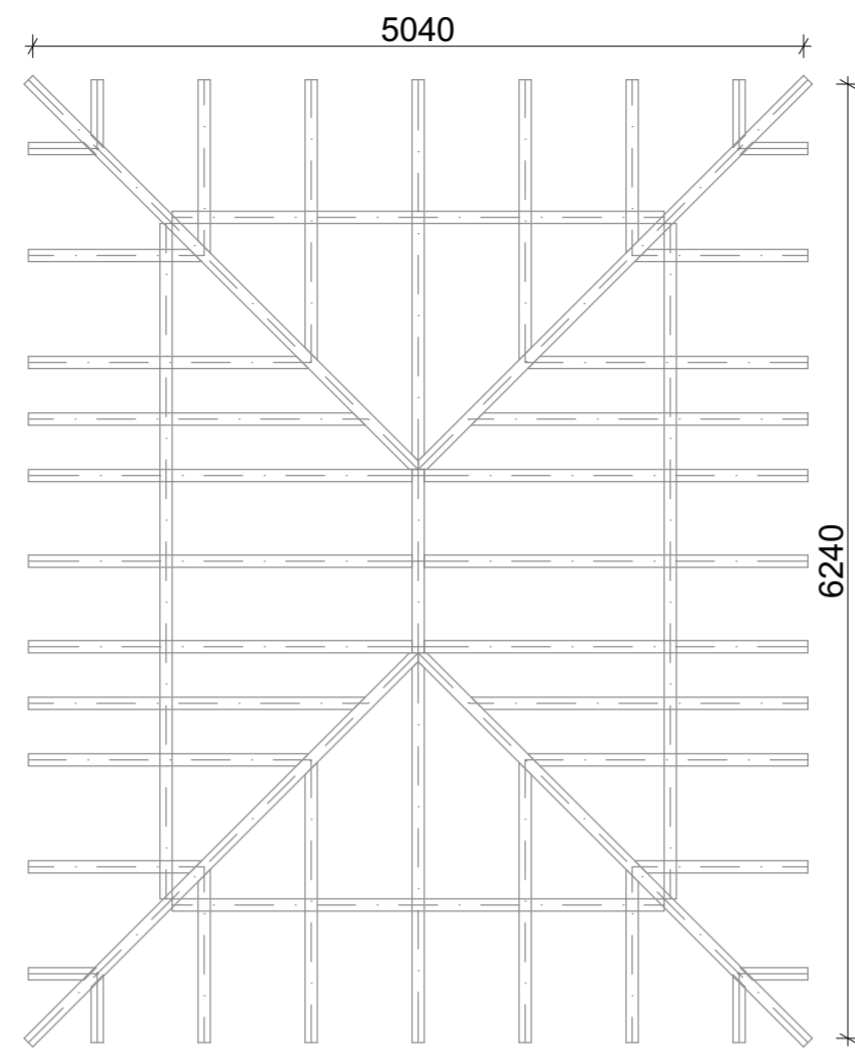
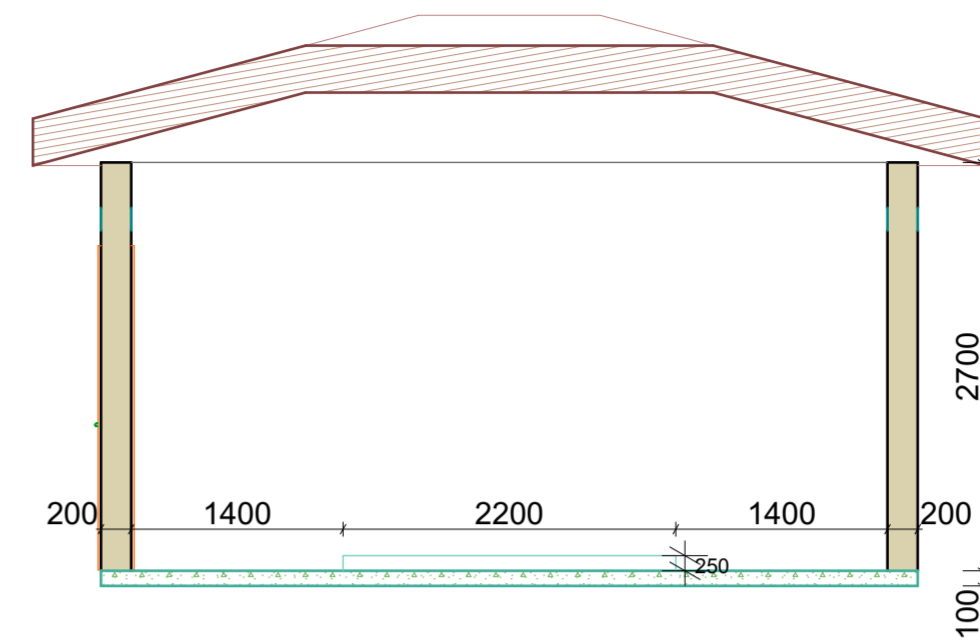


Story

1:49.48



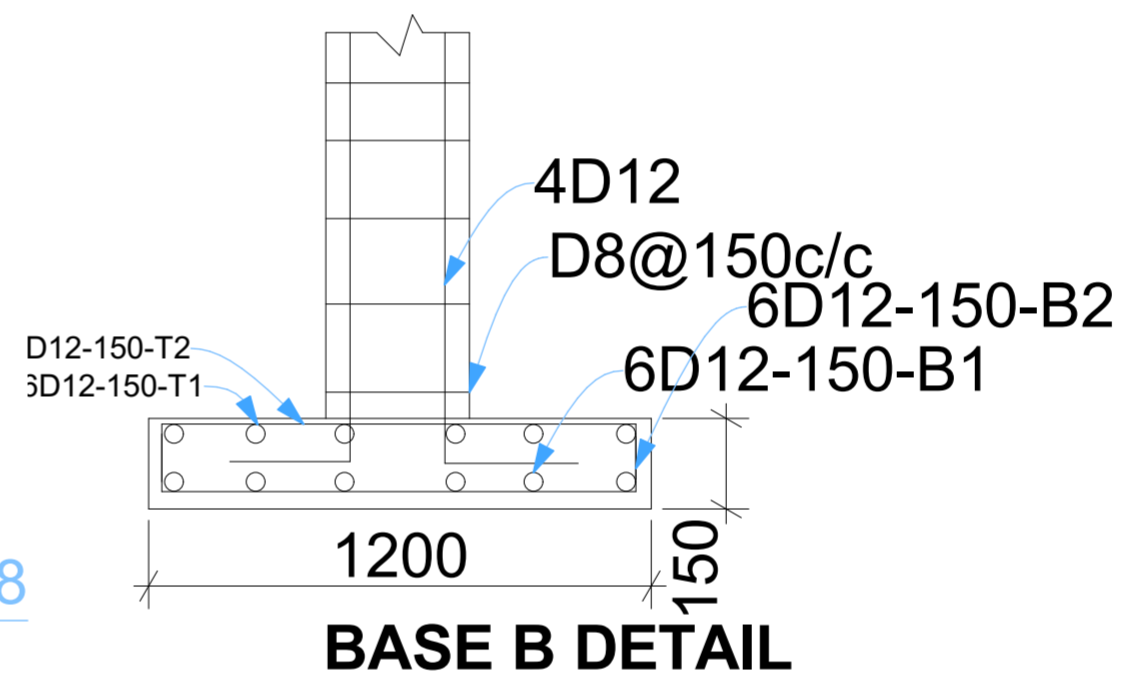
ROOF PLAN



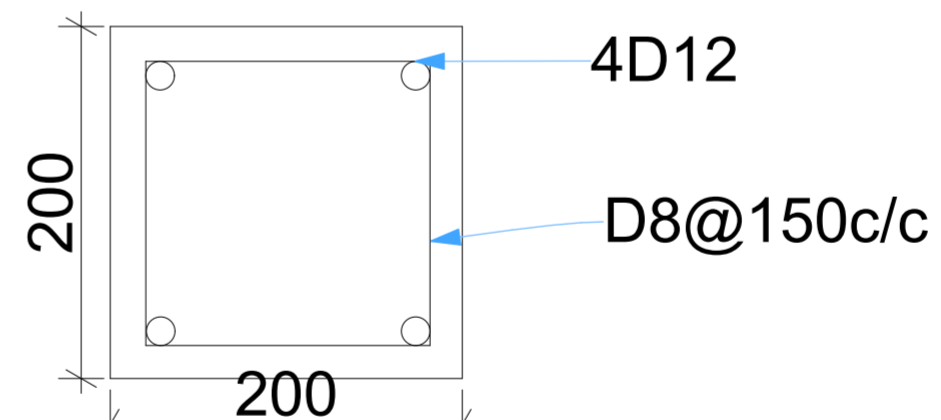
S-06

Building Section

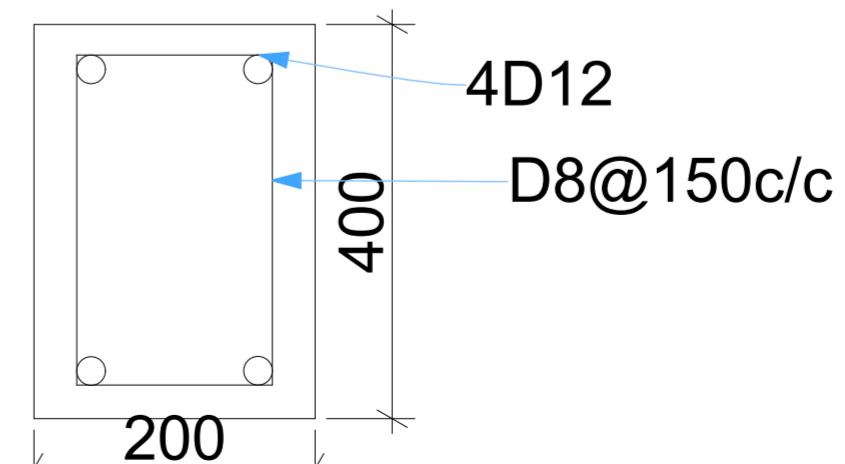
1:50



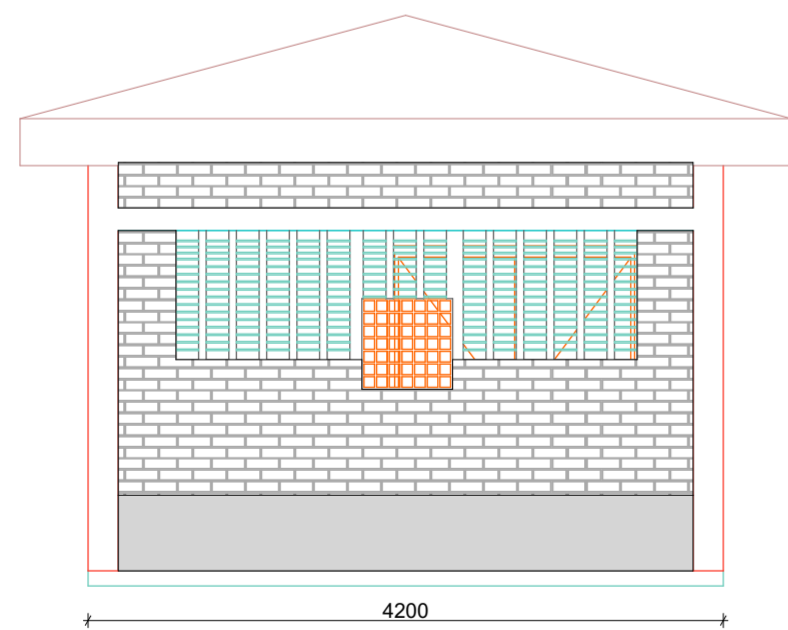
BASE B DETAIL



COLUMN B DETAIL



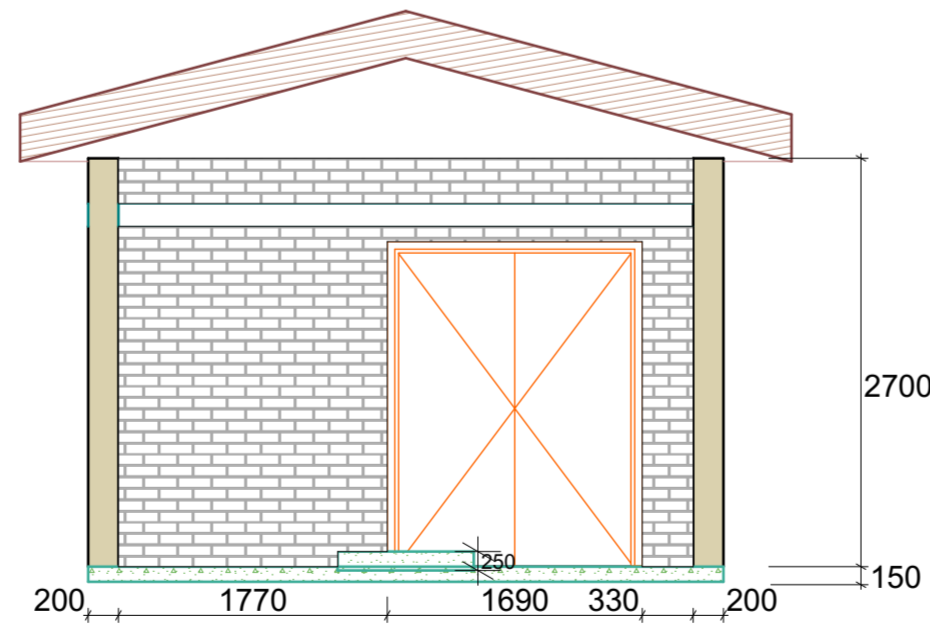
BEAM B DETAIL



E-03

Elevation

1:50




S-07

Building Section

1:50

Revision History			
RevID	ChID	Change Name	Date

Company Title



NYERI WATER AND SANITATION COMPANY
 P.O.BOX 1520-10100
 info@nyewasco.co.ke

PROPOSED GENERATOR ROOM

Drawing Name
 Story, Building Section, Elevation

Drawing Status

Modified by Date

Checked by Date

Drawing Scale
 1:49.48, 1:50, 1:200